

TRM Towel Rail



TRM21C5
shown

Product Description

A stylish ladder towel rail range with EuP 2025 LOT20 compliant integrated mid-rail time and temperature programmer for ease of use. Four rail sizes in the range available in white or chrome finishes.

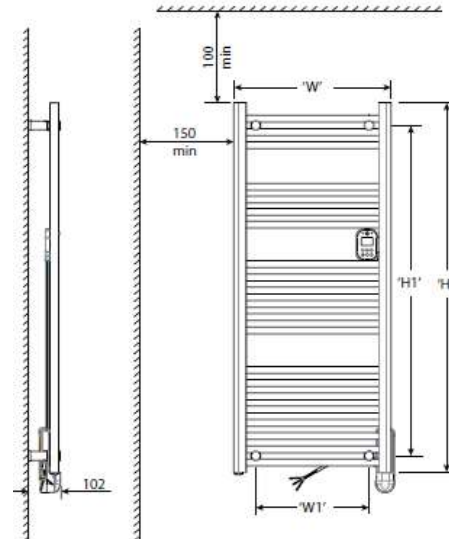
Key Features

- Easy and quick to install comes in 1 x 400mm width and 3 x 500mm widths
- Models TRM21W/C4 and TRM14W/C5 ideally suited for ensembles. TRM21+28W/C5 suitable for family bathrooms
- Fluid filled for even heat distribution
- Integrated EuP 2025 LOT20 compliant timer located on middle rail for ease of programming
- Timer with 3 preset time profiles and 3 custom profiles with additional 'preheat' mode enabling 2 periods to be set to come on for the same time each day
- Boost mode
- Energy saving electronic thermostat enabling temperature adjustment to within 0.1°C
- Open window detection

Technical Details

Element	Submersion element with temperature limiter and fuse link
Thermal Cut-Out	Built-in temperature limiter and overheat protection
Electrical connection	Class 1, 3 core cable – live, neutral, earth. Cable entry on bottom right. Installations must be in accordance with IEE regulations
Timer specification	Boost (variable). 7 day timer- 3 preset time profiles and 3 customer profiles. Preheat mode- 2 periods to be set for same time each day Power outage, pin lock and time lost, program remains
Thermostat	Electronic 7-28°C
Open window detection	Yes
Key pad lock	Yes
Installation	4 brackets for wall mounting
Construction and finish	Stainless steel, straight horizontal bars, vertical mounted heating element. Chrome or white finish
Fitting included	4 brackets, 4 mounting screws, 4 hex. Stud screws.
IP Rating	IPX5
Country of Origin	Turkey

Dimensions



Warranty & Approvals

Approvals	CE, UKCA, BEAB (pending)
Warranty	5 years (2 years standard+ additional 3 years on registration)
Manufacturer	Glen Dimplex Heating & Ventilation (Glen Dimplex UK)

	TRM21W4	TRM21C4	TRM14W5	TRM14C5	TRM21W5	TRM21C5	TRM28W5	TRM28C5
Material code	500003621	500003625	500003622	500003626	500003623	500003627	500003624	500003628
EAN Code	5011139088482	5011139088529	5011139088499	5011139088536	5011139088505	5011139088543	5011139088512	5011139088550
Output (W)	250	175	200	120	300	200	400	250
Height 'H' (mm)	1175	1175	775	775	1175	1175	1475	1475
Width 'W' (mm)	400	400	500	500	500	500	500	500
Width 'W1' (mm)	240	240	340	340	340	340	340	340
Height 'H1' (mm)	966	966	588	588	966	966	1260	1260
Number of rails	21	21	14	14	21	21	28	28
Unpacked weight (Kg)	11.4	11.3	8.9	8.8	13.2	13.2	16.8	16.8
Packed weight (Kg)	14.6	14.5	11.6	11.5	16.5	16.4	20.6	20.6
Ti/Hi	2/12	2/12	2/12	2/12	2/12	2/12	2/12	2/12
Pallet qty (2.4m high)	24	24	24	24	24	24	24	24